







## INTRODUCTION

Dear Customers,

It's a pleasure for GUILLEN team, present to you this new catalog where we have collected a small sample of woodwork designs, our company develops and manufactures.

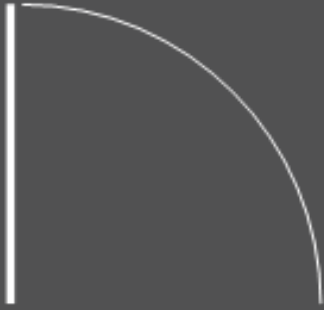
We want to put in your hands this useful tool which not only helps you to define the aesthetic aspects of your projects, but rather it provides them with practical and functional solutions.

We know the importance of customizing each project, so this document must be considered as an open tool. We expect as this selection of models and finishes can help you to resolve the carpentry section of your works or provide them with new ideas to define your own designs. Indeed, we offer you our broader collaboration for your developments .

In this catalog we show you a comprehensive set of different carpentry systems which we have collected through years of experience in manufacturing and installation of carpentry. We provide you the best solutions to resolve any kind of problems that may arise in your works.

We hope to cover all your expectations. Yours faithfully.

GUILLEN



## NOT ONLY DOORS AND CABINETS

Since the first work in which GUILLÉN participated, the Clinical Hospital in Madrid, we gave a comprehensive solution to the inside and outside woodworks.

GUILLEN, although it has been recognized as seniority and prestige manufacturers of doors and cupboards, offers a wide range of products and services to provide a custom solutions to each of woodwork items that constitute a building project.

We tailor our knowledge to the needs of each of our customers by providing a human and technical team with extensive experience in the workwoods field.



## QUALITY AND ENVIRONMENT

GUILLEN as a manufacturer and installer of industrialized woodwork is not only concerned with the aesthetic appearance of the units produced in his factory, but its functionality and adaptability to the needs of our customers and of course in the potential impact in the environment.

We have a strict quality control in the design of the joinery units in our standard series, supported by both the Spanish Association for Standardization and Certification (AENOR) (mark N as certificate No. 008/000143) as the Technical Research Association of Woodworking Industries (AITIM) (quality seals re 1-41-01, -02, -03, -04, 06/05/01, 02, 09/16/01, and -02).

We apply our Quality Management according to the UNE-EN ISO 9001:2008 certified by AENOR with the right to use the brand ER-0533/2009.

In recent years we have carried out an extensive research and development program for new products in order to adapt the woodwork in the field of fire resistance, ventilation and soundproofing to current trends .

The development of these new carpentry product, in collaboration with relevant suppliers and Accredited Laboratories, has led to patent, through the Spanish Patent and Trademark Office, any of them according to utility models with publication numbers: 1037570, 1049878, 1049982 and 1052471.

Finally, on February 24, 2012, have been granted to “GUILLEN Industrias de la Madera” the certification in the FSC ® seal with License Code: FSC-C109916.

### Company quality Seals



### Product quality Seals









INSIDE DOOR. «REVERSE» SYSTEM. TLH5 MODEL.



# 1.

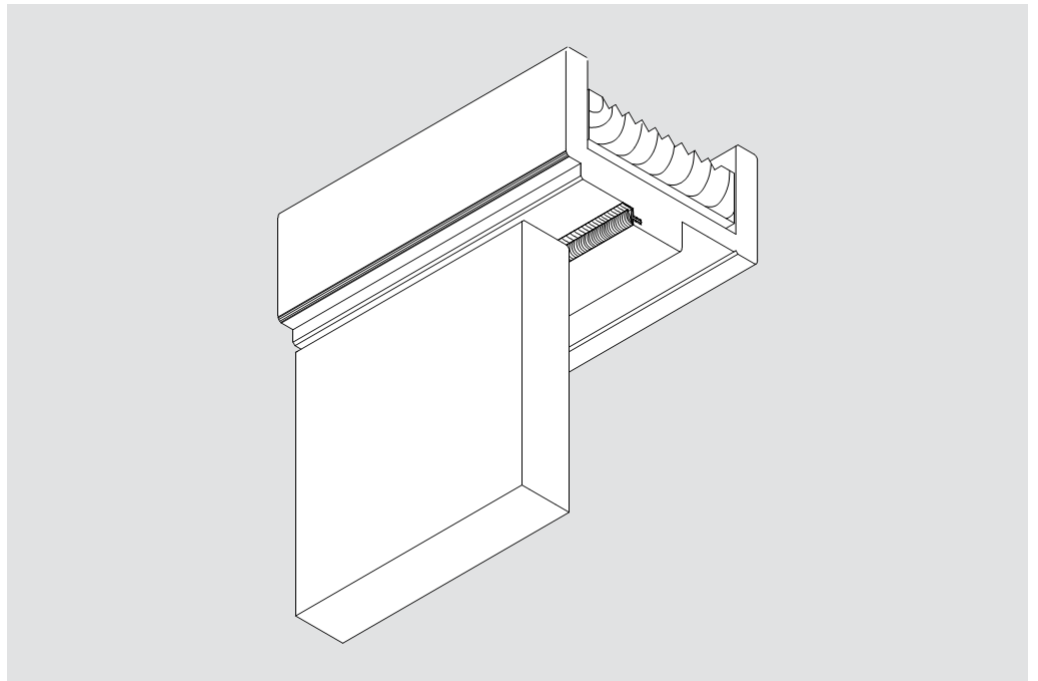
## «REVERSE» SYSTEM

REGISTERED



REVERSIBLE HINGE. REGISTERED.

REVERSIBLE LATCH. WITH CLOSE.



«REVERSE» SYSTEM DETAIL.



DETAIL. HEADBOARD MEETING.



PUERTA SISTEMA HIBRIDO CON HOJA MODELO TC8.

# 2.

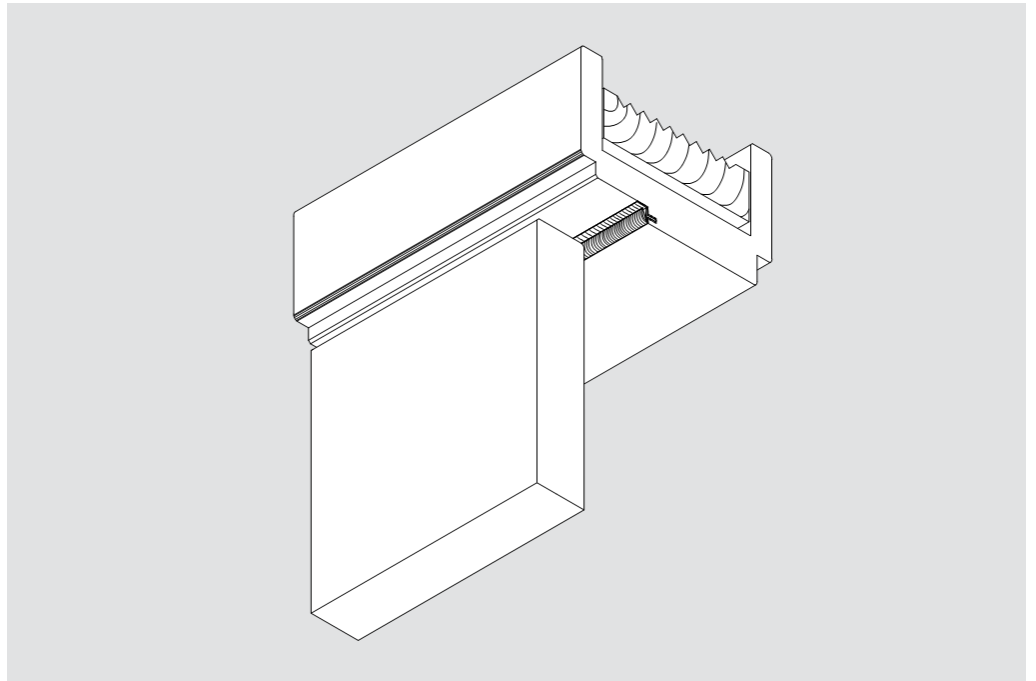
## «HIBRIDO» SYSTEM



TRADITIONAL HINGE.



GIM HINGE. REGISTERED.



«HIBRIDO» SYSTEM DETAIL.



DETAIL. HEADBOARD MEETING.



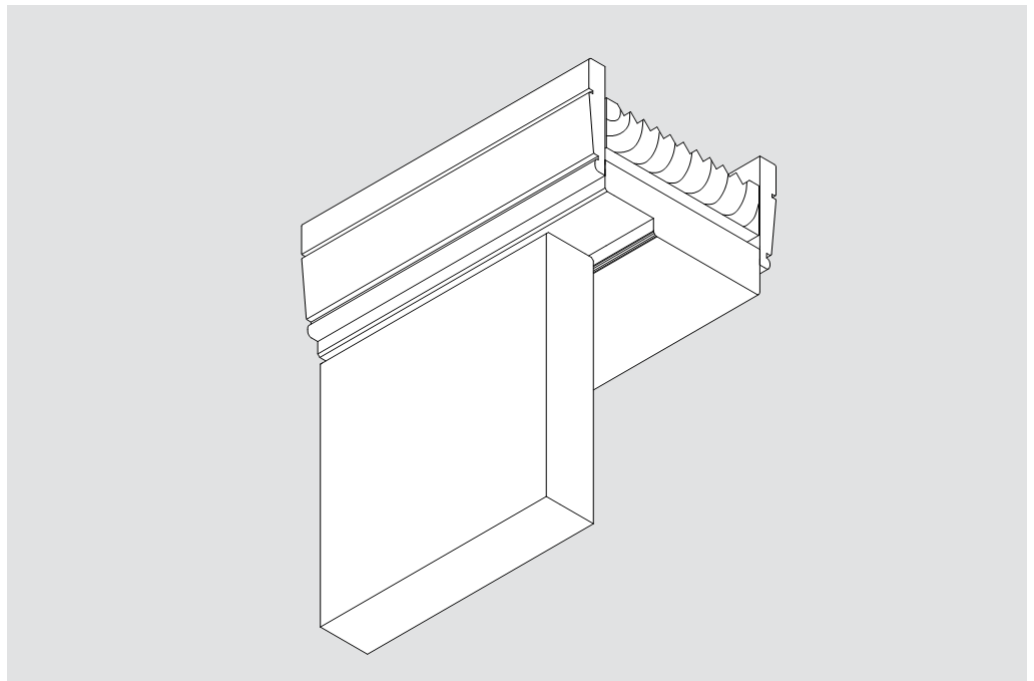
PUERTA SISTEMA TRADICIONAL CON HOJA MODELO Y2.CC

# 3.

## TRADITIONAL SYSTEM



TRADITIONAL HINGE WITH ORNAMENTAL TIPS. TRADITIONAL HINGE WITHOUT ORNAMENTAL TIPS.



TRADITIONAL SYSTEM DETAIL.



DETAIL. HEADBOARD MEETING.



PUERTA SISTEMA GIMNOVE CON HOJA MODELO C CON MONTANTE.



# 4.

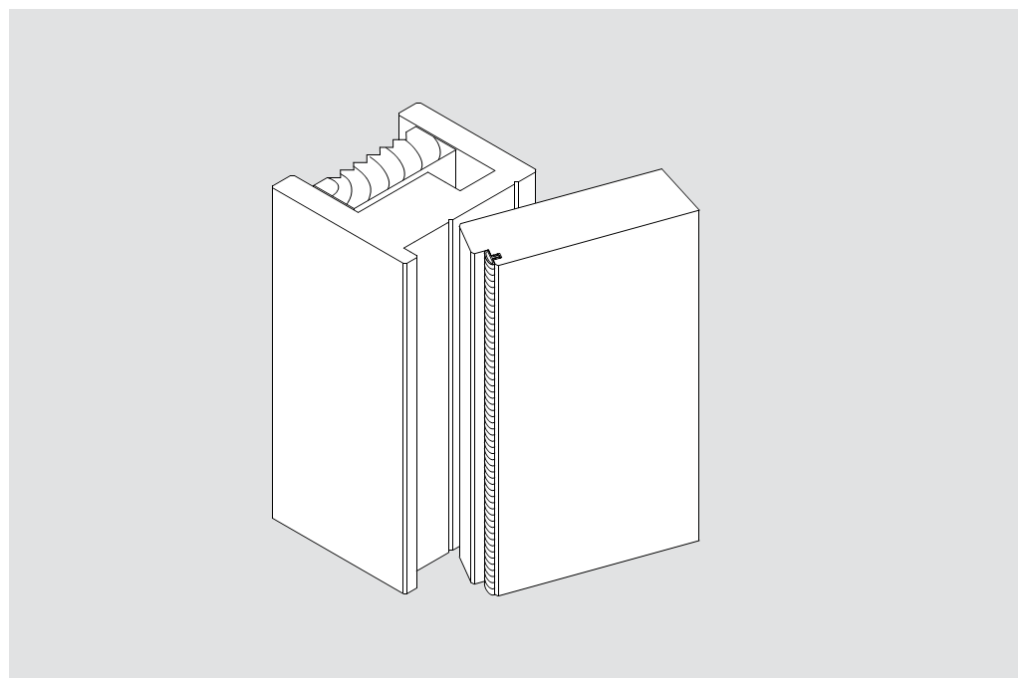
## «GIMNOVE» SYSTEM



HIDE HINGE.



OPTIONAL MAGNETIC LATCH.



«GIMNOVE» SYSTEM DETAIL.



DETAIL. HEADBOARD MEETING.









SWING CUPBOARD D-94 – LA MODEL.

# 1.

## SWING SYSTEM



SWING CUPBOARD GAMA D-94 - MODEL: TL8A.



SWING CUPBOARD BETA D-99, WITHOUT SKIRTING ,  
MODEL: CC.



SWING CUPBOARD DELTA D-94 - MODEL: TLH5A.



AUTOMATIC HINGE FOR  
GAMA SWING CUPBOARD .

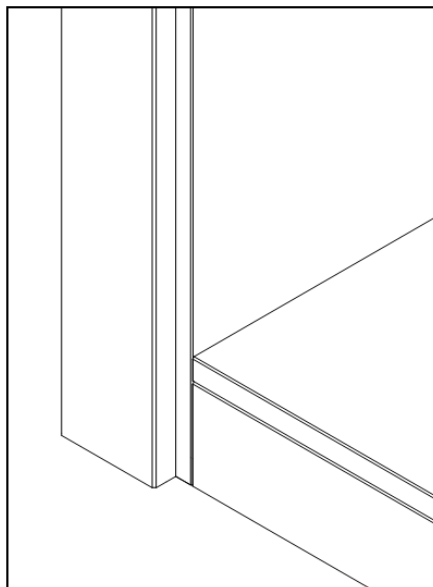


TRADITIONAL HINGE FOR  
BETA SWING CUPBOARD.

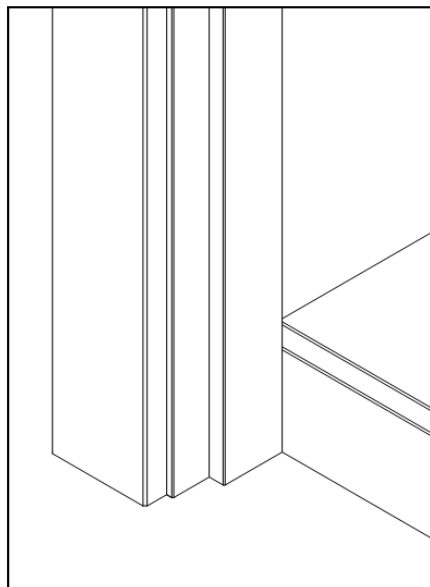


AUTOMATIC HINGE FOR  
DELTA SWING CUPBOARD.

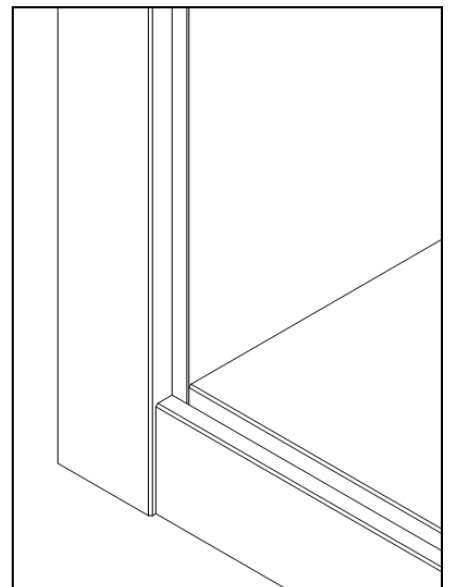
GAMA SWING CUPBOARD WITHOUT  
SKIRTING DETAIL.



BETA SWING CUPBOARD WITHOUT  
SKIRTING DETAIL



GAMA SWING CUPBOARD WITH  
SKIRTING DETAIL.





ARMARIO CORREDERA D-94 MODELO COMBI A.



# 2.

## SLIDE SYSTEM



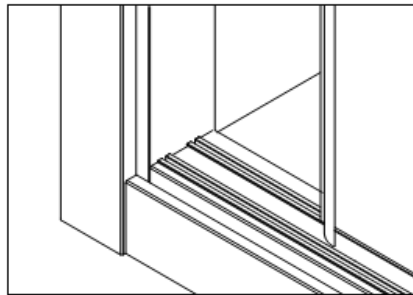
SLIDE CUPBOARD D-99 MODEL: LAMA A.



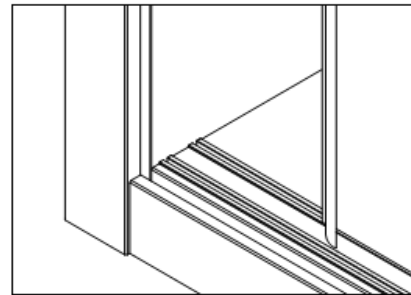
SLIDE CUPBOARD D-94, MODEL: TLH5A.



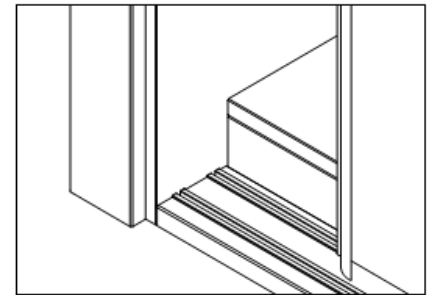
SLIDE CUPBOARD OMEGA D-94, MODEL: CA, WITHOUT SKIRTING.



SLIDE SYSTEM WITH SKIRTING  
DETAIL.



SLIDE SYSTEM OMEGA WITH  
SKIRTING DETAIL.



SLIDE SYSTEM OMEGA WITHOUT  
SKIRTING DETAIL.



SLIDE SYSTEM TOP RAIL DETAIL.



SLIDE SYSTEM OMEGA TOP RAIL DETAIL.



FOLDABLE CUPBOARD D-94 - MODELLA.

# 3.

## FOLDABLE SYSTEM



FOLDABLE CUPBOARD D-94, MODEL TCH2A, WITHOUT SKIRTING.

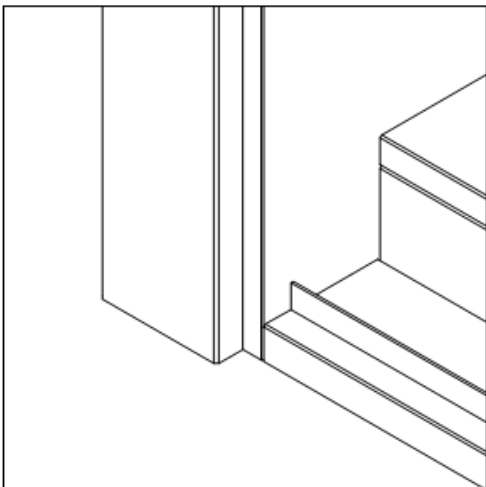
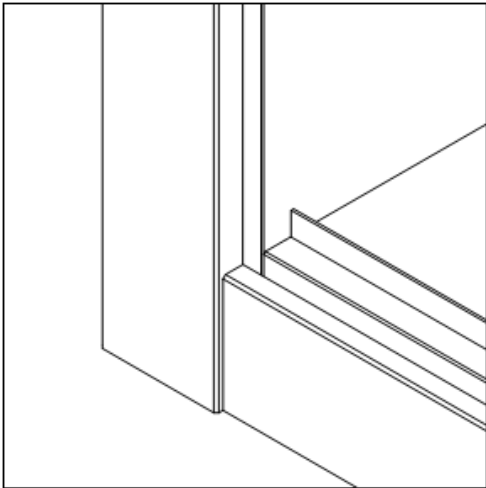


FOLDABLE CUPBOARD D-99, MODEL TLH2A.



FOLDABLE CUPBOARD D-94, MODEL TCA.

FOLDABLE SYSTEM WITH SKIRTING DETAIL.



FOLDABLE SYSTEM WITHOUT SKIRTING DETAIL.



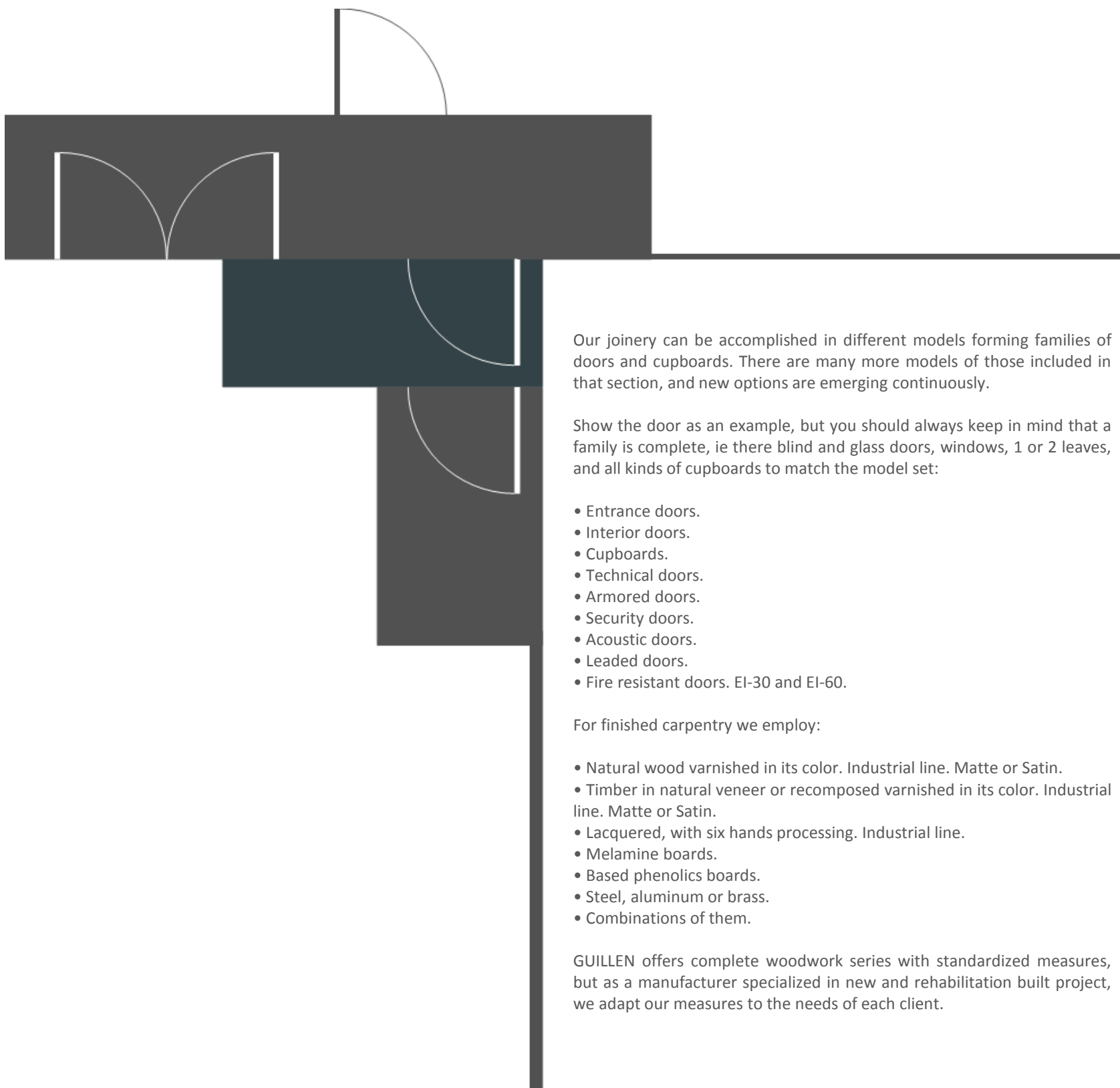
TOP IRON FITTINGS FOLDABLE CUPBOARD DETAIL.



BOTTOM IRON FITTINGS FOLDABLE CUPBOARD DETAIL.







Our joinery can be accomplished in different models forming families of doors and cupboards. There are many more models of those included in that section, and new options are emerging continuously.

Show the door as an example, but you should always keep in mind that a family is complete, ie there blind and glass doors, windows, 1 or 2 leaves, and all kinds of cupboards to match the model set:

- Entrance doors.
- Interior doors.
- Cupboards.
- Technical doors.
- Armored doors.
- Security doors.
- Acoustic doors.
- Leaded doors.
- Fire resistant doors. EI-30 and EI-60.

For finished carpentry we employ:

- Natural wood varnished in its color. Industrial line. Matte or Satin.
- Timber in natural veneer or recomposed varnished in its color. Industrial line. Matte or Satin.
- Lacquered, with six hands processing. Industrial line.
- Melamine boards.
- Based phenolics boards.
- Steel, aluminum or brass.
- Combinations of them.

GUILLEN offers complete woodwork series with standardized measures, but as a manufacturer specialized in new and rehabilitation built project, we adapt our measures to the needs of each client.



PL2H5



PLR3



TL8



TL8v



ALH5



L



NLR6m



NLR2mv



NLR2m



NLR3bm



BD1v/c



NLD2mvc



Y2



Y2v



RL3



RL2v



BD1



BR3



BR2



BR2v



BR3b



BR5



BF2



BF3



TC8



TCH5



NCD2



NCD2vc





NCR3a



NCR2I



NCR6



NCR2v



GC1



GC2



ACH4



RCT1v



IC2t



IC1t



IC2



RCT1vc



TIC2H5



TIC2



TC2H5



RC3v



C



MLH5



TLV3



RC1v





Avda. de Europa nº 34 blq. B esc. dcha 1º  
28023 - Aravaca (Madrid) - ESPAÑA  
Tlf.: +34 913516795  
Fax: +34 913516792  
info@euroreverse.com  
www.guillen-carpinteria.es